

PLEASE CHECK WWW.MOLEX.COM FOR LATEST PART INFORMATION

Part Number: **0492250821**
Status: **Active**
Description: 1.10mm (.043") Pitch TransFlash Memory Card Connector, Reverse Type, With Detect Switch, Push-Push, Black Color Housing

Documents:

[3D Model](#)
[Packaging Specification \(PDF\)](#)
[Drawing \(PDF\)](#)
[Product Specification PS-49225-001 \(PDF\)](#)
[RoHS Certificate of Compliance \(PDF\)](#)

General

Product Family	Memory Card Sockets
Series	<u>49225</u>
Button Type	Push-Push
Component Type	Header & Ejector (Host)
Product Name	TransFlash
Type	N/A

Physical

Card Detection Switch	Yes
Circuits (Loaded)	8
Circuits (maximum)	8
Color - Resin	Natural
Durability (mating cycles max)	7,000
Ejector Button Side	Left
Entry Angle	90° Angle (Side Entry)
Keying to Mating Part	Yes
Material - Metal	Phosphor Bronze, Stainless Steel
Material - Resin	High Temperature Thermoplastic
PCB Locator	No
PCB Mounting Side	Normal
PCB Retention	Yes
Packaging Type	Embossed Tape on Reel
Pitch - Mating Interface (in)	0.043 In
Pitch - Mating Interface (mm)	1.10 mm
Pitch - Term. Interface (in)	0.043 In
Pitch - Term. Interface (mm)	1.10 mm
Ports	1
Surface Mount Compatible (SMC)	Yes
Temperature Range - Operating	-25°C to +85°C

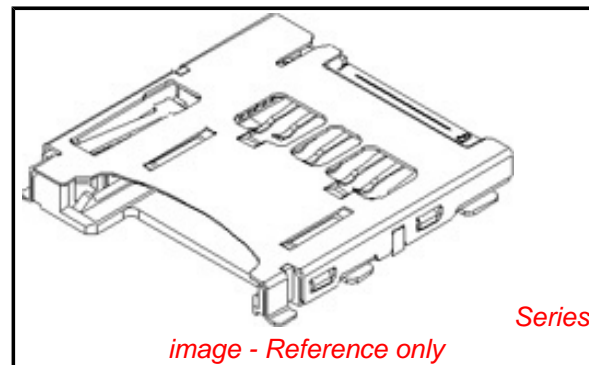
Electrical

Current - Maximum per Contact	0.5A
Shielded	Yes
Voltage - Maximum	100V

Material Info

Reference - Drawing Numbers

Product Specification	PS-49225-001, RPS-49225-001
Sales Drawing	SD-49225-201



EU RoHS

**ELV and RoHS
Compliant**
REACH SVHC
 Not Reviewed
**Halogen-Free
Status**

China RoHS



**Need more information on product
environmental compliance?**

Email productcompliance@molex.com
 For a multiple part number RoHS Certificate of Compliance, [click here](#)

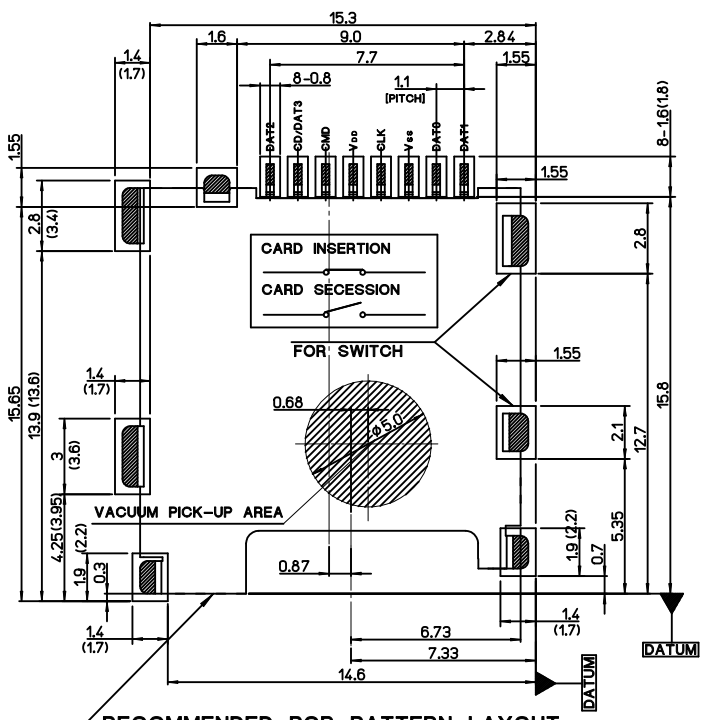
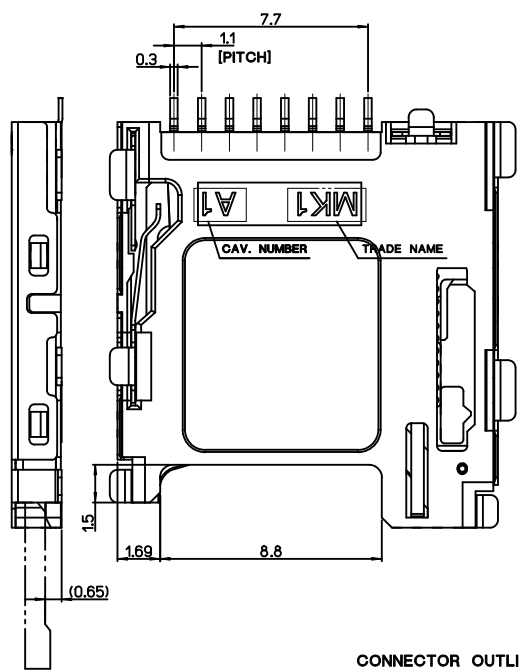
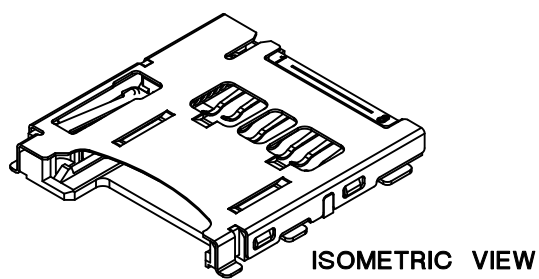
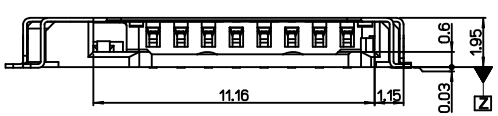
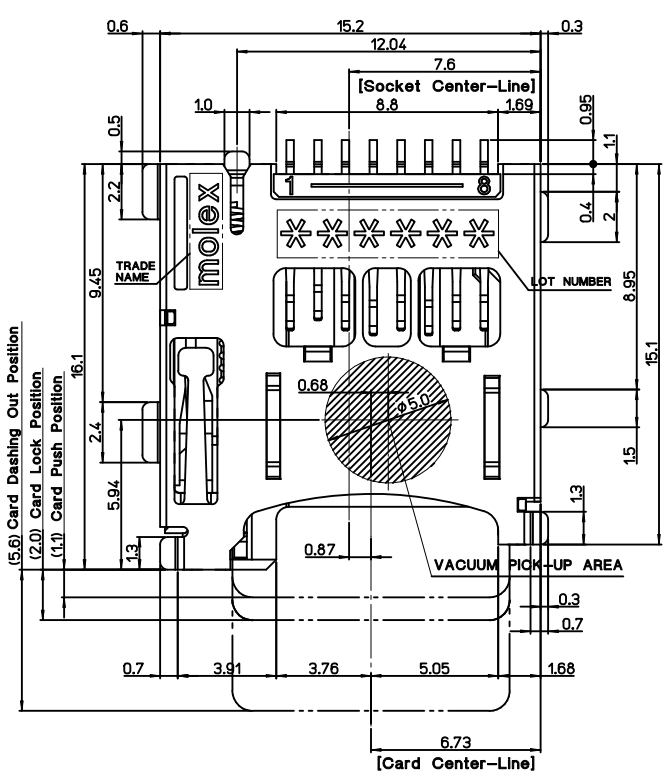
Please visit the [Contact Us](#) section for any non-product compliance questions.

Search Parts in this Series

49225Series

Use With

TransFlash card



NOTES

1. MATERIALS: SEE TABLE
2. FINISHES: SEE TABLE
3. PRODUCT SPECIFICATION : PS-49225-001
4. COPLANARITY OF SOLDER TAILS : 0.1mm MAX.
MISALIGNMENT OF SOLDER TAIL FROM "Z"
UPPER DIRECTION 0.05 MAX., LOWER DIRECTION 0.1MAX.
5. PACKAGING SPECIFICATION : PK-49225-201

* Normal DIM. : Limited
* (DIM.) : Recommend

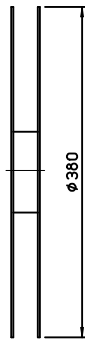
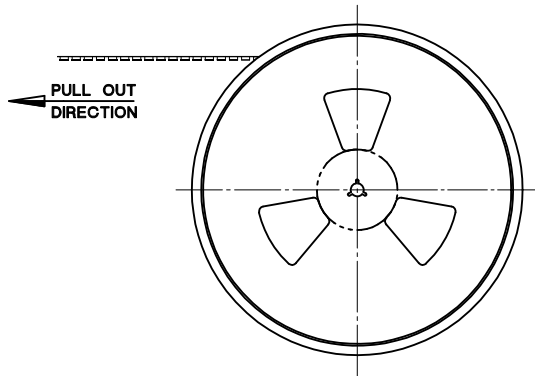
This connector has been tested for compatibility with both TransFlash and microSD cards, however, as this standard is in transition some specifications from different card makers may differ. Please contact Molex Korea before any design-in to discuss card compatibility issues

492250821	49225-0821
MATERIAL NO.	ENGINEERING NO.

REVISED EC NO: DRWN: SUNGHYUK.100 2010/02/23 CHKD: YSOOKIM APPR:	DESCRIPTION	QUALITY SYMBOLS	GENERAL TOLERANCES (UNLESS SPECIFIED)		DIMENSION STYLE		SCALE	DESIGN UNITS	THIRD ANGLE PROJECTION		
		▽=0 ∇=0	mm	INCH	MM ONLY		5:1	METRIC	M-SD MEMORY CARD SOCKET		
			4 PLACES ± --- ± ---	3 PLACES ± --- ± ---	DRAWN BY	DATE	TITLE	MOLEX INCORPORATED		M-SD MEMORY CARD SOCKET	
			2 PLACES ± 0.15 ± ---	1 PLACE ± 0.20 ± ---	CHECKED BY	DATE	P/P.REVERSE.WITH SWT LOW RETENTION FORCE		SD-49225-201		SHEET NO.
		ANGULAR ± 1 °	DRAFT WHERE APPLICABLE MUST REMAIN WITHIN DIMENSIONS		APPROVED BY		DATE	SEE TABLE		1 OF 3	
					S. J. SEH		2005/09/14	MATERIAL NO.			
					S. H. JOO		2005/09/14	DOCUMENT NO.			
					MATERIAL NO.		THIS DRAWING CONTAINS INFORMATION THAT IS PROPRIETARY TO MOLEX INCORPORATED AND SHOULD NOT BE USED WITHOUT WRITTEN PERMISSION				

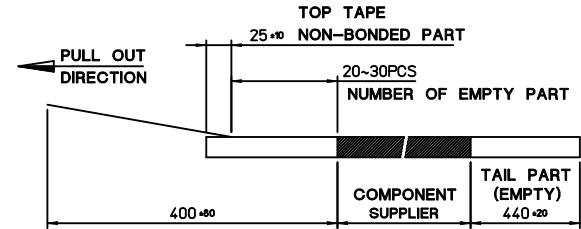
⑨	SPRING	49225-9001	STAINLESS STEEL	
⑧	PIN ROD	49225-9002	STAINLESS STEEL	
⑦	STOPPER TERMINAL	49772-8003	PHOS.-BRONZE	PURE-Sn over Ni
⑥	GND. TERMINAL	49771-8003	PHOS.-BRONZE	Selective-Au over Ni
⑤	SWITCH TERMINAL	49770-8003	PHOS.-BRONZE	Selective-Au over Ni
④	HEART CAM	49355-0001	LIQUID CRYSTAL POLYMER	Natural Color
③	HOUSING	49225-0891	LIQUID CRYSTAL POLYMER	
②	METAL SHELL	49769-5003	STAINLESS STEEL	Selective-Au over Ni
①	CONTACT TERMINAL 1,2,3	49768-8*30	PHOS.-BRONZE	Selective-Au over Ni
NO.	DESCRIPTION	ENGINEERING NO.	MATERIALS	FINISHES

REVISED EC NO: DRWN: SUNGHYUK JOO 2010/02/23 CHKD: YSOOK IM APPR:	DESCRIPTION REV	QUALITY SYMBOLS	GENERAL TOLERANCES (UNLESS SPECIFIED)	DIMENSION STYLE	SCALE	DESIGN UNITS	THIRD ANGLE PROJECTION
		▽=0 ∇=0	mm INCH	MM ONLY	5:1	METRIC	
		4 PLACES ± --- ± --- 3 PLACES ± --- ± --- 2 PLACES ± 0.15 ± --- 1 PLACE ± 0.20 ± --- ANGULAR ± 1 °	DRAWN BY: S.H. JOO DATE: 2005/09/14 CHECKED BY: DATE:	TITLE M-SD MEMORY CARD SOCKET P/P.REVERSE, WITH SWT LOW RETENTION FORCE			
		DRAFT WHERE APPLICABLE MUST REMAIN WITHIN DIMENSIONS	APPROVED BY: S.J. SEH DATE: 2005/09/14 MATERIAL NO.	MOLEX INCORPORATED DOCUMENT NO. SD-49225-201			
		SIZE	SEE TABLE		SHEET NO.		2 OF 3
		THIS DRAWING CONTAINS INFORMATION THAT IS PROPRIETARY TO MOLEX INCORPORATED AND SHOULD NOT BE USED WITHOUT WRITTEN PERMISSION					



NOTES

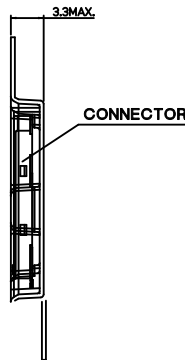
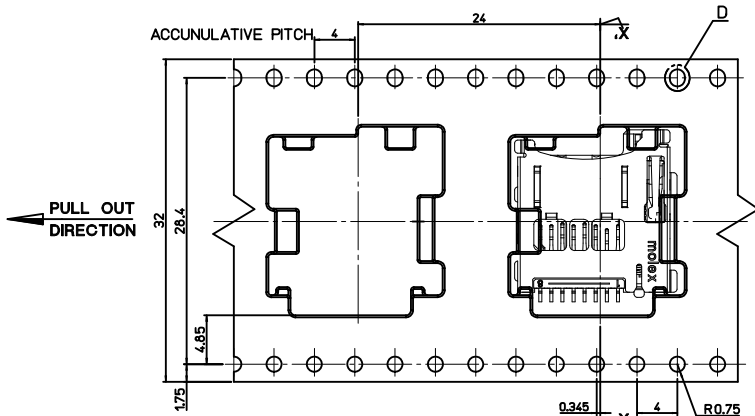
- 1. QUANTITY OF CONNECTORS : 1,100PCS/REEL
- 2. LEAD LENGTH



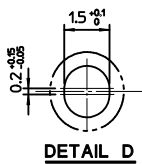
- 3. PEELING OFF FORCE OF COVER TAPE : 0.1N~0.59N(10.2GF~60GF)
(PEELING DIRECTION AS SHOW IN FOLLOW FIG.)
- PEELING OFF SPEED : 300mm/MIn.(Ref.)



35902-1011	35908-1003	35902-2108	49225-0811	492250817	49225-0817	8
COVER TAPE	REEL	EMBOSSSED TAPE	CONNECTOR	MATERIAL NO.	ENG. NO.	CKT



DIRECTION OF CONNECTOR IN EMBOSSSED TAPE



REVISED EC NO: DRWN: SUNGHYUK.00 2010/02/23 CHKD: YS00KIM APPR:	DESCRIPTION	QUALITY SYMBOLS	GENERAL TOLERANCES (UNLESS SPECIFIED)	DIMENSION STYLE	SCALE	DESIGN UNITS	THIRD ANGLE PROJECTION													
		<p>▽=0</p> <p>∠=0</p>	<table border="1"> <thead> <tr> <th></th> <th>mm</th> <th>INCH</th> </tr> </thead> <tbody> <tr> <td>4 PLACES</td> <td>± ---</td> <td>± ---</td> </tr> <tr> <td>3 PLACES</td> <td>± ---</td> <td>± ---</td> </tr> <tr> <td>2 PLACES</td> <td>± 0.15</td> <td>± ---</td> </tr> <tr> <td>1 PLACE</td> <td>± 0.20</td> <td>± ---</td> </tr> </tbody> </table> <p>ANGULAR ± 1 °</p>		mm	INCH	4 PLACES	± ---	± ---	3 PLACES	± ---	± ---	2 PLACES	± 0.15	± ---	1 PLACE	± 0.20	± ---	MM ONLY	2:1
	mm	INCH																		
4 PLACES	± ---	± ---																		
3 PLACES	± ---	± ---																		
2 PLACES	± 0.15	± ---																		
1 PLACE	± 0.20	± ---																		
REV	D	DRAFT WHERE APPLICABLE MUST REMAIN WITHIN DIMENSIONS	DRAWN BY	DATE	TITLE	M-SD MEMORY CARD SOCKET P/P.REVERSE.WITH SWT LOW RETENTION FORCE														
			S.H. JOO	2005/09/14	Molex MOLEX INCORPORATED															
			CHECKED BY	DATE	MATERIAL NO.	DOCUMENT NO.	SHEET NO.													
			APPROVED BY	DATE	SEE TABLE	SD-49225-201	3 OF 3													
			S. J. SEH	2005/09/14	THIS DRAWING CONTAINS INFORMATION THAT IS PROPRIETARY TO MOLEX INCORPORATED AND SHOULD NOT BE USED WITHOUT WRITTEN PERMISSION															

9	SPRING	49225-9001	STAINLESS STEEL	
8	PIN ROD	49225-9002	STAINLESS STEEL	
7	STOPPER TERMINAL	49772-8003	PHOS.-BRONZE	PURE-Sn over Ni
6	GND. TERMINAL	49771-8003	PHOS.-BRONZE	Selective-Au over Ni
5	SWITCH TERMINAL	49770-8003	PHOS.-BRONZE	Selective-Au over Ni
4	HEART CAM	49355-0001	LIQUID CRYSTAL POLYMER	Natural Color
3	HOUSING	49225-0891	LIQUID CRYSTAL POLYMER	
2	METAL SHELL	49769-5003	STAINLESS STEEL	Selective-Au over Ni
1	CONTACT TERMINAL 1,2,3	49768-8*30	PHOS.-BRONZE	Selective-Au over Ni
NO.	DESCRIPTION	ENGINEERING NO.	MATERIALS	FINISHES

DWG. NO. SD-49225-201

SIMILAR ITEM

PROJECT NO.

B

DO NOT SCALE DRAWING DIMENSION IN METRIC

F

E

D

C

B

A

NEW RELEASE ECN NO. KOR2007-0077 DRWN: S.H.JOO 08/12/29 CHK: APPR: S.J.SEH	QUALITY SYMBOLS MAJOR \blacktriangledown = 0 CRITICAL \blacktriangledown = 0	GENERAL TOLERANCES: (UNLESS SPECIFIED)		SCALE 5 / 1	DESIGN UNITS <input checked="" type="checkbox"/> mm <input type="checkbox"/> INCH	THIRD ANGLE PROJECTION <input checked="" type="checkbox"/> <input type="checkbox"/>	DIMENSIONS: <input type="checkbox"/> mm <input type="checkbox"/> INCH <input checked="" type="checkbox"/> mm ONLY		SHT 1	REV
		4 PLACES	$\pm 0.$	\pm	DRAWN BY & DATE S.H.JOO 05/09/14		TITLE: microSD MEMORY CARD SOCKET PUSH-PUSH / REVERSE TYPE / WITH SWITCH (LOW RETENTION FORCE VERSION)			
		3 PLACES	$\pm 0.$	\pm	CHECKED BY & DATE S.H.JOO					
		2 PLACES	± 0.15	\pm	APPROVED BY & DATE S.J.SEH		MOLEX INCORPORATED			
1 PLACE	± 0.2	\pm	ANGULAR: \pm °		CAD FILENAME SD49225002.MI	MATERIAL NO. SEE TABLE	DRAWING NO. SD-49225-201	SHEET NO. 1 OF 2		
DRAFT WHERE APPLICABLE MUST REMAIN WITHIN DIMENSIONS		THIS DRAWING CONTAINS INFORMATION THAT IS PROPRIETARY TO MOLEX INCORPORATED AND SHOULD NOT BE USED WITHOUT WRITTEN PERMISSION.				KOREA		SIZE B		