

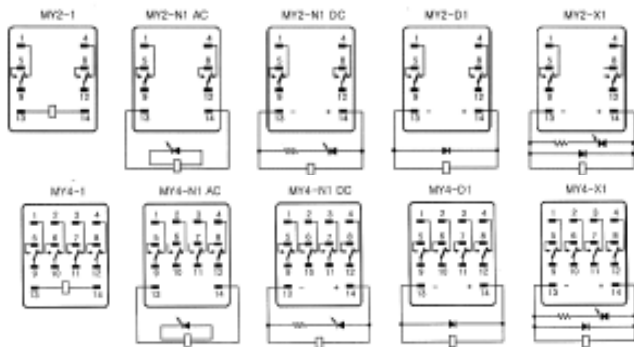
SZR-MY Series Power Relay



SZR-MY Series general-purpose power relays are designed for a wide range of applications including power, as well as logic control, for factory machines and control panels.

SZR-MY Series relays have a small package design for multiple application needs. Relays are available in two configurations: DPDT with a 5 A load and 4PDT with a 3 A load. One standard and three options are available: LED indicator, internal surge protection diode, and LED indicator/diode protection.

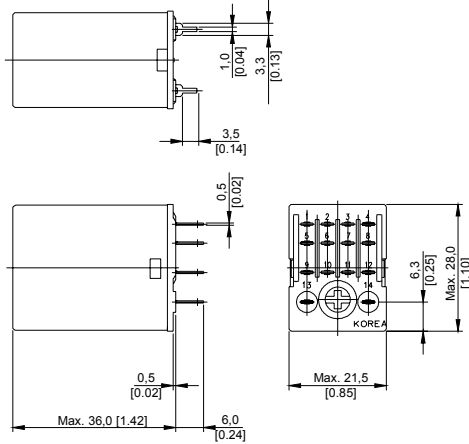
Current rating (SZR-MY2):	5 A
Current rating (SZR-MY4):	3 A
Contact resistance:	50 mOhm max.
Contact material:	Fine silver
Agency approvals:	UL, CE, CSA
Operate time:	20 ms max.
Release time:	20 ms max.
Ambient temperature:	-25 °C to 75 °C (-13 °F to 167 °F)
Ambient humidity:	45% RH to 85% RH
Switching options:	DPDT, 4PDT



MY2 Series

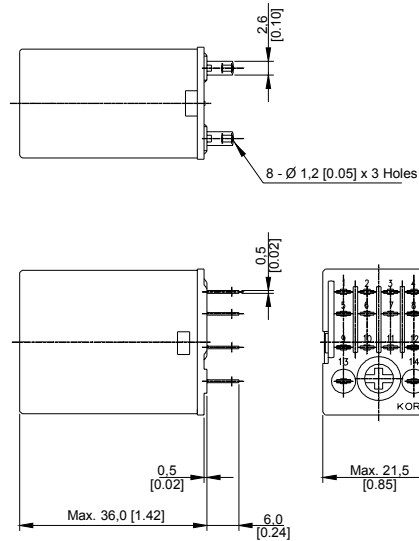
OPTIONS

Standard, PCB Terminal, DPDT



COIL INPUT VOLTAGE	MAX. CONTACT RATING	REFERENCE
110/120 Vac	250 Vac/5 amp	SZR-MY2-1P-AC110-120V
220/240 Vac	250 Vac/5 amp	SZR-MY2-1P-AC220V-240V
24 Vdc	125 Vdc/1 amp	SZR-MY2-1P-DC24V

Solder/Plug-In Terminal, DPDT



Standard

COIL INPUT VOLTAGE	MAX. CONTACT RATING	REFERENCE
110/120 Vac	250 Vac/5 amp	SZR-MY2-1-AC110-120V
220 Vac	250 Vac/5 amp	SZR-MY2-1-AC220V
12 Vdc	125 Vdc/1 amp	SZR-MY2-1-DC12V
24 Vdc	125 Vdc/1 amp	SZR-MY2-1-DC24V

LED Indicator

COIL INPUT VOLTAGE	MAX. CONTACT RATING	REFERENCE
110/120 Vac	250 Vac/5 amp	SZR-MY2-N1-AC110-120V
220 Vac	250 Vac/5 amp	SZR-MY2-N1-AC220V
12 Vdc	125 Vdc/1 amp	SZR-MY2-N1-DC12V
24 Vdc	125 Vdc/1 amp	SZR-MY2-N1-DC24V

Diode Protection

COIL INPUT VOLTAGE	MAX. CONTACT RATING	REFERENCE
24 Vdc	125 Vdc/1 amp	SZR-MY2-D1-DC24V

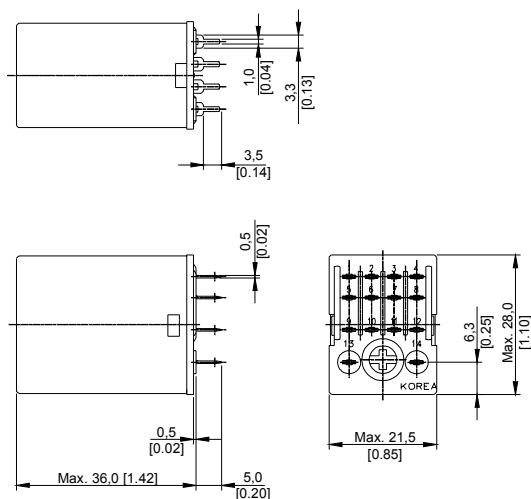
LED Indicator/Diode Protection

COIL INPUT VOLTAGE	MAX. CONTACT RATING	REFERENCE
24 Vdc	125 Vdc/1 amp	SZR-MY2-X1-DC24V

MY4 Series

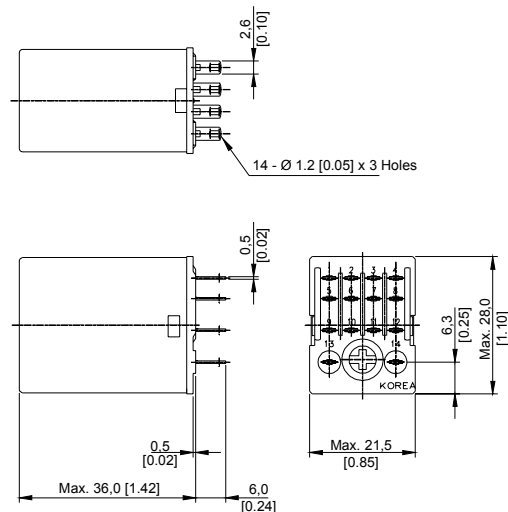
OPTIONS

Standard, PCB Terminal, 4PDT



COIL INPUT VOLTAGE	MAX. CONTACT RATING	REFERENCE
110/120 Vac	250 Vac/3 amp	SZR-MY4-1P-AC110-120V
220/240 Vac	250 Vac/3 amp	SZR-MY4-1P-AC220V-240V
24 Vdc	125 Vdc/0.6 amp	SZR-MY4-1P-DC24V

Solder/Plug-In Terminal, 4PDT



Standard

COIL INPUT VOLTAGE	MAX. CONTACT RATING	REFERENCE
110/120 Vac	250 Vac/3 amp	SZR-MY4-1-AC110-120V
220 Vac	250 Vac/3 amp	SZR-MY4-1-AC220V
12 Vdc	125 Vdc/0.6 amp	SZR-MY4-1-DC12V
24 Vdc	125 Vdc/0.6 amp	SZR-MY4-1-DC24V

LED Indicator

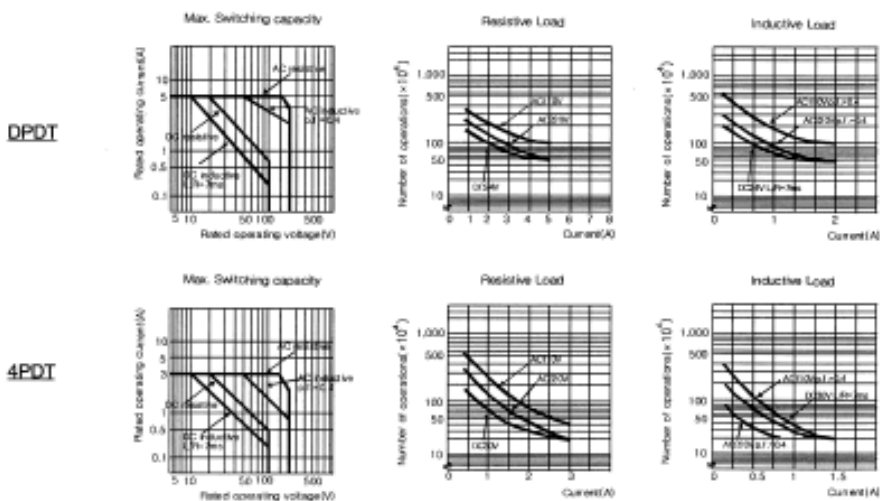
COIL INPUT VOLTAGE	MAX. CONTACT RATING	REFERENCE
110/120 Vac	250 Vac/3 amp	SZR-MY4-N1-AC110-120V
220 Vac	250 Vac/3 amp	SZR-MY4-N1-AC220V
12 Vdc	125 Vdc/0.6 amp	SZR-MY4-N1-DC12V
24 Vdc	125 Vdc/0.6 amp	SZR-MY4-N1-DC24V

Diode Protection

COIL INPUT VOLTAGE	MAX. CONTACT RATING	REFERENCE
24 Vdc	125 Vdc/0.6 amp	SZR-MY4-D1-DC24V

LED Indicator/Diode Protection

COIL INPUT VOLTAGE	MAX. CONTACT RATING	REFERENCE
24 Vdc	125 Vdc/0.6 amp	SZR-MY4-X1-DC24V



SZR-LY Series Power Relay

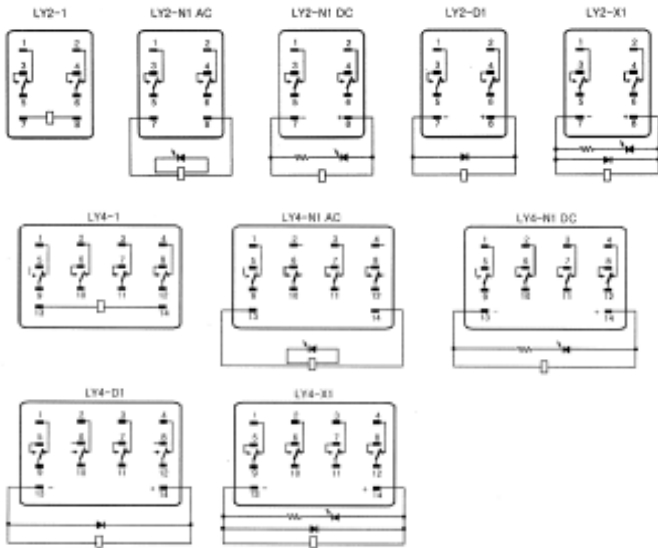


SZR-LY Series general-purpose power relays are designed for a wide range of applications including power, as well as logic control, for factory machines and control panels.

SZR-LY Series relays break 10 A loads are ideal for control panels that require stable and reliable relays.

One standard and three options are available: LED indicator, internal surge protection diode, and LED indicator/diode protection.

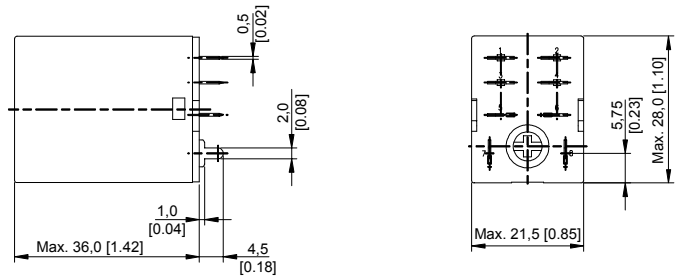
- Current rating:** 10 A
- Contact resistance:** 50 mOhm max.
- Contact material:** Silver cadmium oxide
- Agency approvals:** UL, CE, CSA
- Operating frequency:** 18,000 operations/hour (mechanical)
1,800 operations/hour (electrical)
- Operate time:** 25 ms max.
- Release time:** 25 ms max.
- Ambient temperature:** -25 °C to 70 °C (-13 °F to 158 °F)
- Ambient humidity:** 45% RH to 85% RH
- Switching options:** DPDT, 4PDT



LY2 Series

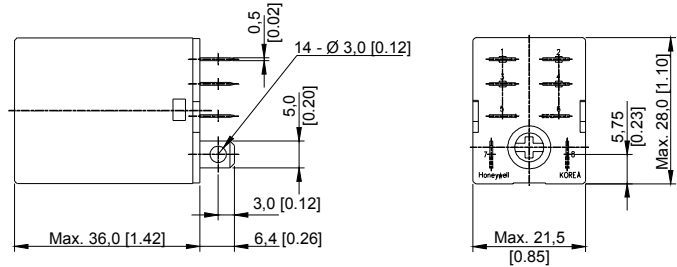
OPTIONS

Standard, PCB Terminal, DPDT



COIL INPUT VOLTAGE	MAX. CONTACT RATING	REFERENCE
110/120 Vac	250 Vac/10 amp	SZR-LY2-1P-AC110-120V
24 Vdc	125 Vdc/2 amp	SZR-LY2-1P-DC24V

Solder/Plug-In Terminal, DPDT



Standard

COIL INPUT VOLTAGE	MAX. CONTACT RATING	REFERENCE
110/120 Vac	250 Vac/10 amp	SZR-LY2-1-AC110-120V
220 Vac	250 Vac/10 amp	SZR-LY2-1-AC220V
12 Vdc	125 Vdc/2 amp	SZR-LY2-1-DC12V
24 Vdc	125 Vdc/2 amp	SZR-LY2-1-DC24V

LED Indicator

COIL INPUT VOLTAGE	MAX. CONTACT RATING	REFERENCE
110/120 Vac	250 Vac/10 amp	SZR-LY2-N1-AC110-120V
220 Vac	250 Vac/10 amp	SZR-LY2-N1-AC220V
12 Vdc	125 Vdc/2 amp	SZR-LY2-N1-DC12V
24 Vdc	125 Vdc/2 amp	SZR-LY2-N1-DC24V

Diode Protection

COIL INPUT VOLTAGE	MAX. CONTACT RATING	REFERENCE
24 Vdc	125 Vdc/2 amp	SZR-LY2-D1-DC24V

LED Indicator/Diode Protection

COIL INPUT VOLTAGE	MAX. CONTACT RATING	REFERENCE
24 Vdc	125 Vdc/ 2 amp	SZR-LY2-X1-DC24V