



## TL46-W Contrast sensor

### INSTRUCTION MANUAL

#### CONTROLS

##### OUT LED (yellow)

The red LED indicates the output status.

##### READY LED (green)

During functioning, the green LED permanently ON indicates a normal operating condition; fast blinking indicates an output overload condition.

##### MARK PUSH-BUTTON

The mark detection procedure is activated by pressing MARK push-button.

##### BKGD PUSH-BUTTON

The background detection procedure is activated by pressing BKGD push-button.

See the "SETTING" paragraph for setup procedure indications.



#### INSTALLATION

The sensor can be positioned by means of the two Ø3.5mm housing's holes using or threaded M5 holes with 6mm max. depth.

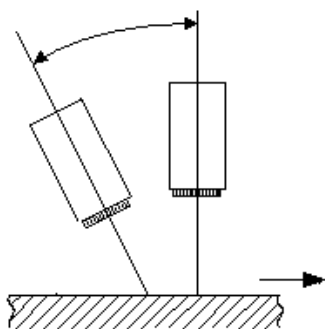
**Warning:** the use of excessively long screws can damage the product.

The connector can be oriented at five different positions, rotating the block. The position chosen is guaranteed by a mechanical blocking system. The rotation can be carried-out even after sensor installation as the connector block is completely self-contained inside the housing.

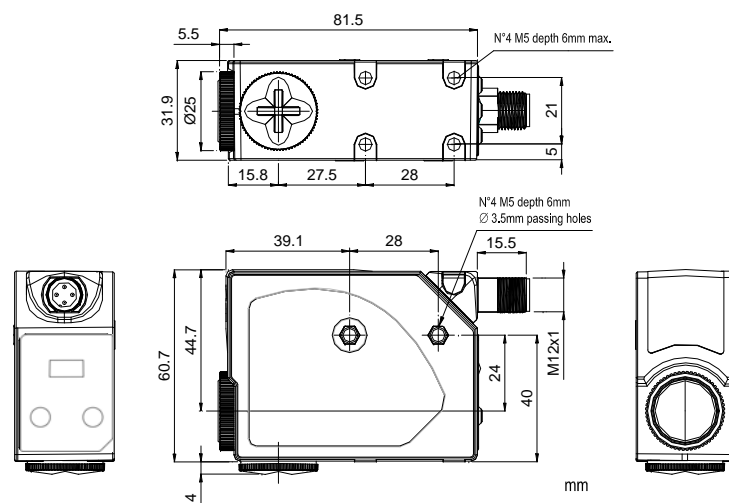


The operating distance is measured starting from the lens front face. The reading direction can be changed inverting the cap and lens.

Mark detection on a reflective surface is improved adjusting the beam direction to 5° ... 20° from surface axis.



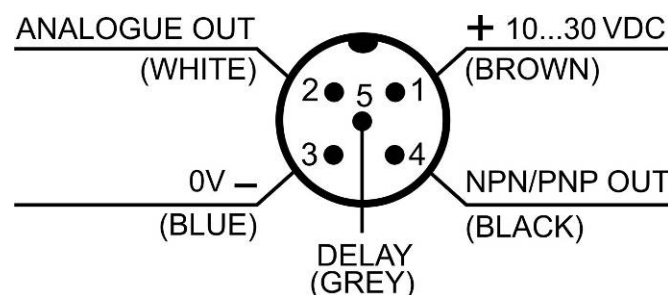
#### DIMENSIONS



#### TECHNICAL DATA

Power supply:	10...30 Vdc limit values
Ripple:	2 Vpp max.
Current consumption (output current excluded):	50 mA max. @ 24Vcc
Output:	1 PNP/NPN selectable output 30 Vdc max. (short-circuit protection) (PNP is the default configuration)
Output current:	100 mA max.
Output saturation voltage:	≤ 2 V
Response time:	33 µs
Switching frequency:	15 kHz
Analogue output:	1 ... 3 V ± 10% (white 90%); 5.5 V max;
Analogue output impedance:	2.2 kΩ (short-circuit protection)
Delay:	0 / 20 ms selectable via delay input
Dark/light selection	automatic
Indicators:	OUT LED (yellow) / READY LED (green)
Operating temperature:	-10 ... 55 °C
Storage temperature:	-20 ... 70 °C
Electric shock protection:	double insulation <input type="checkbox"/>
Operating distance:	9 mm
Depth of field:	± 3 mm
Minimum spot dimension:	1.5x5 mm
Emission type:	blue (465 nm) / green (520 nm) / red (630 nm) with automatic selection
Ambient light rejection:	according to EN 60947-5-2
Vibrations:	0.5 mm amplitude, 10 ... 55 Hz frequency, for each axis (EN60068-2-6)
Shock resistance:	11 ms (30 G) 6 shock for each axis (EN60068-2-27)
Housing material:	aluminium
Lens material:	PMMA
Mechanical protection:	IP67
Connections:	M12 5-pole connector
Weight:	170 g. max.

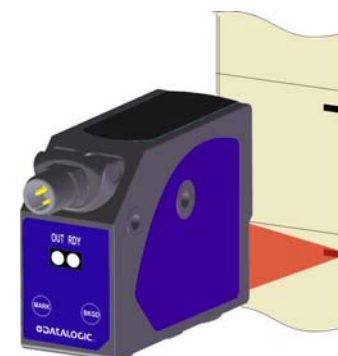
#### CONNECTIONS



#### SETTING

##### DETECTION (MARK-BACKGROUND)

- Position mark in front of the sensor light spot and press MARK push-button until the READY LED (green) turns OFF. The sensor detects the mark alternating the red, green and blue emissions. Avoid mark movements during this phase.



- Position the background in front of the sensor light spot and press BKGD push-button. The sensor detects the mark alternating the red, green and blue emissions. Avoid background movements during this phase.



The DARK/LIGHT operating mode is automatically selected by the sensor. Dark mark - light background = dark mode; light mark - dark background = light mode.

If the READY LED is permanently ON, the detection is successful.

If the LED blinks slowly, the detection has failed due to insufficient contrast.

The sensor returns to the previous setting by pressing MARK or BKGD push-button.

Repeat the procedure from the beginning.

##### PNP/NPN OUTPUT SETTING

The digital output can be PNP or NPN configured.

- To change output press MARK and BKGD contemporaneously for 2 sec.

- The setting is signalled by the status change of the READY LED.

If the READY LED turns off after a 1 sec. pressure, release push-buttons only after the re-powering of the LED (2sec).

- The output setting is signalled by the READY LED. Releasing the push-buttons, the READY LED blinks once if the PNP output is set, blinks twice if the NPN output is set.

1 sec pressure of MARK and BKGD	10 sec pressure of MARK and BKGD	Release of push-buttons
● ●	● ●	● ●

##### OUTPUT OVERLOAD

The digital output overload is signalled by the rapid blinking of the READY LED.

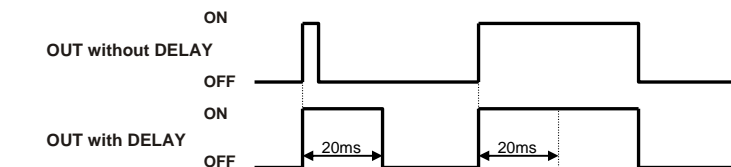
#### ACCESSORY FUNCTIONS

##### ANALOGUE output

The analogue output supplies a voltage proportional to the signal received by the sensor. The voltage supplied is 0 ÷ 5.5V. The maximum voltage is obtained with reflective objects; on 90% white the voltage is equal to 2.5V.

##### DELAY SETTING

The DELAY extends to 20ms the minimum duration of the active output allowing the slower interfacing systems to detect shorter pulses.



##### Delay activation

- Connect Delay signal (grey wire) to power supply.

##### Delay deactivation

- Connect Delay signal (grey wire) to 0V or leave unconnected.

	<b>EX-II-3DG IP67 T6</b>	
	Temperature class:	T6 (<85°C)
	Max. Power consumption	1500 mW at 30 Vdc
	Max. Internal capacitance	450 pF
	Internal inductance:	negligible

**DECLARATION OF CONFORMITY**  
We DATALOGIC AUTOMATION declare under our sole responsibility that these products are conform to the 2004/108/CE and successive amendments.

**WARRANTY**  
DATALOGIC AUTOMATION warrants its products to be free from defects. DATALOGIC AUTOMATION will repair or replace, free of charge, any product found to be defective during the warranty period of 36 months from the manufacturing date. This warranty does not cover damage or liability deriving from the improper application of DATALOGIC AUTOMATION products.

**DATALOGIC AUTOMATION**  
Via Lavino 265 - 40050 Monte S. Pietro - Bologna - Italy  
Tel: +39 051 6765611 - Fax: +39 051 6759324  
www.automation.datalogic.com e-mail: info.automation@datalogic.com

DATALOGIC AUTOMATION cares for the environment: 100% recycled paper. DATALOGIC AUTOMATION reserves the right to make modifications and improvements without prior notification. Datalogic and the Datalogic logo are registered trademarks of Datalogic S.p.A. in many countries, including the U.S.A. and the E.U.