



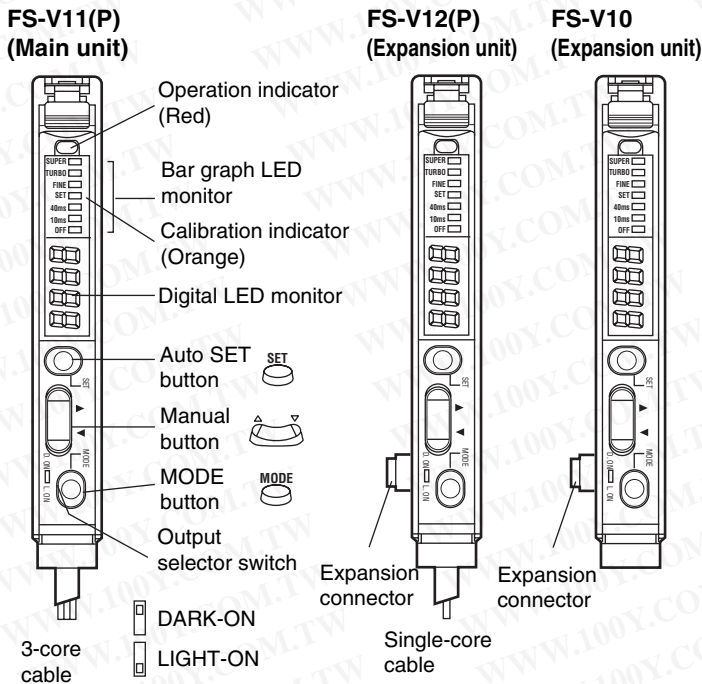
Hybrid Fiberoptic Sensors FS-V11(P)/12(P)/10 Instruction Manual

勝特力材料 886-3-5753170
 勝特力电子(上海) 86-21-34970699
 勝特力电子(深圳) 86-755-83298787
 Http://www.100y.com.tw



Read this manual before using the product in order to achieve maximum performance. Keep this manual in a safe place after reading it so that it can be used at any time.

PART NAMES AND FUNCTIONS



SAFETY PRECAUTIONS

WARNING

- This product is just intended to detect the object(s). Do not use this product for the purpose to protect a human body or a part of human body.
- This product is not intended for use as explosion-proof product. Do not use this product in a hazardous location and/or potentially explosive atmosphere.

PRECAUTIONS ON REGULATIONS AND STANDARDS

UL Certificate

This product is an UL/C-UL Listed product.

- UL File No. E301717
- Category NRKH,NRKH7
- Enclosure Type 1 (Based on UL50)

Be sure to consider the following specifications when using this product as an UL/C-UL Listed Product.

- Use the power supply with Class 2 output defined in NFPA70 (NEC: National Electrical Code).
- Power supply/ Control input/ Control output circuits shall be connected to a single Class 2 source only.
- Use with the over current protection device which is rated 24V or more and not more than 2A.

Accessories

- Instruction manual (x 1)
- Mounting bracket [FS-V11(P) only]
- End unit (x 2) [FS-V12(P) only]
- Directions (x 1) [FS-V12(P) only]

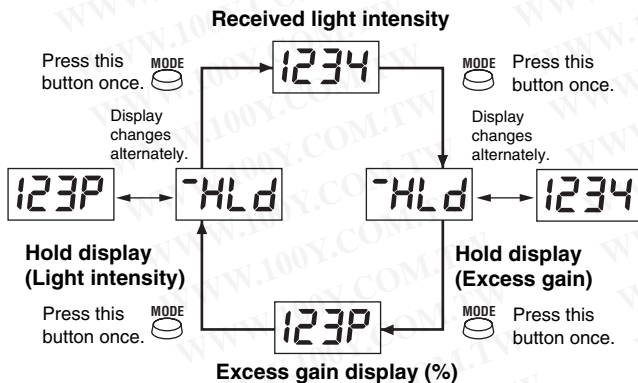
SPECIFICATIONS

Model	NPN output	FS-V11	FS-V12	FS-V10
	PNP output	FS-V11P	FS-V12P	—
Light source	Red LED			
Response time	250 μs (FINE)/500 μs (TURBO)/1 ms (SUPER)			410 μs to 1.7 ms ¹
Operation mode	LIGHT-ON/DARK-ON (switch selectable)			
Indicators	Output indicator: Red LED Digital LED monitor: Red LED Bar graph LED monitor: Green/Orange LED ² Calibration indicator: Orange LED ²			
Timer function	OFF-delay: 40 ms, 10 ms Timer OFF			
Control output	NPN or PNP open-collector 24V 100mA max. Residual voltage: 1V max.			
Protection circuit	Reverse polarity protection, Over-current protection, Surge absorber			
Power supply voltage	12 to 24 VDC ±10%, Ripple (P-P) 10% max, Class 2			
Current consumption	50 mA max.			
Ambient illumination	Candescant lamp: 10,000 lx max., Sunlight: 20,000 lx max			
Ambient temperature ³	-10 to +55°C (14 to 131°F), No freezing.			
Relative humidity	35 to 85%, No condensation			
Vibration	10 to 55 Hz, 1.5 mm double amplitude in X, Y and Z directions for two hours			
Shock immunity	500 m/s ² in X, Y and Z directions, three times each			
Housing material	Body/Cover: Polycarbonate			
Weight (including 2-m cable)	Approx. 80 g	Approx. 45 g	Approx. 20 g	

- The response time varies depending on the number of expansion units connected.
- The orange LED is normally part of the bar graph LED monitor. It is used as a calibration indicator during the setting of the sensitivity.
- When several units are connected, the allowable ambient temperature changes depending on the following conditions. To connect several units, be sure to mount them to a DIN rail (metal DIN rail). Make sure that the output current is 20 mA. max.
 - When 3 to 10 units are connected: -10 to +50 °C (14 to 122°F)
 - When 11 to 16 units are connected: -10 to +45 °C (14 to 113°F)

SELECTING DISPLAYED DATA

The display changes every time the MODE button is pressed.



Displaying the setting value

Press or once while the received light intensity is displayed. The setting value flashes for 2 seconds, and then the received light intensity appears once more.

Note: To change the setting value, press or while the setting value is flashing.

Displaying received light intensity

Received light intensity is displayed approximately 4000 is the maximum setting.

Note: The MAX and MIN values vary depending on the fiber unit connected.

Displaying excess gain

Received light intensity is converted by defining the setting value as 100 P (%).

Displaying the hold value

The peak value or the minimum value of the received light intensity or excess gain is displayed.

The setting of the output selector switch determines whether the peak value or the minimum value is displayed.

Output selector switch	Display	Hold value
LIGHT-ON	~Hld	Peak-hold value
DARK-ON	-Hld	Bottom-hold value

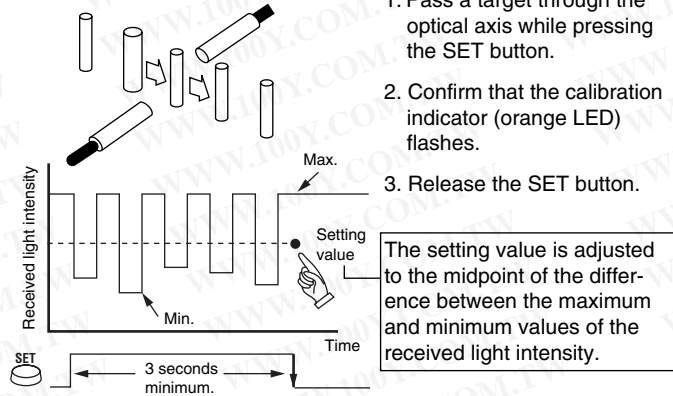
SETTING THE SENSITIVITY (AUTOMATIC CALIBRATION)

Select the sensitivity setting procedure according to the target condition.

When the setting is completed, the setting value flashes twice.

For sensitivity adjustment using a moving target

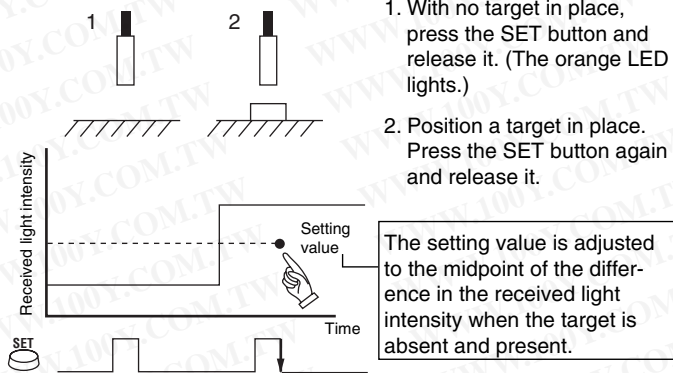
Fully-automatic Calibration



If the fully-automatic calibration does not work properly, try the two-point calibration.

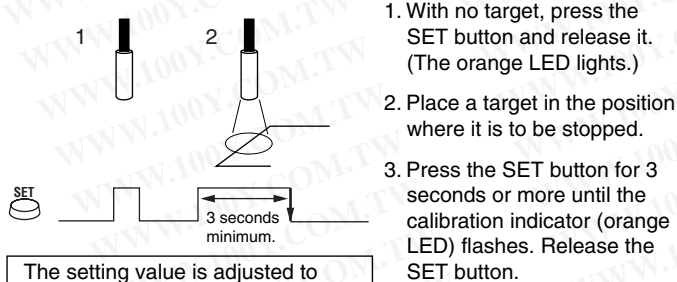
For sensitivity adjustment using a stationary target

Two-point Calibration



For target positioning

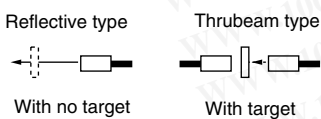
Positioning Calibration



The setting value is adjusted to turn on the sensor when the target comes to the place where it should be stopped.

For maximum sensitivity

Maximum sensitivity setting

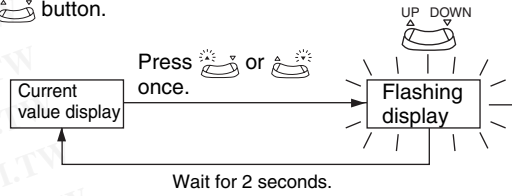


When the reflective type is used to detect a target with some objects in the background, the sensitivity is set to the maximum value at which the background objects are not detected.

If the detecting distance is insufficient, try the two-point calibration.

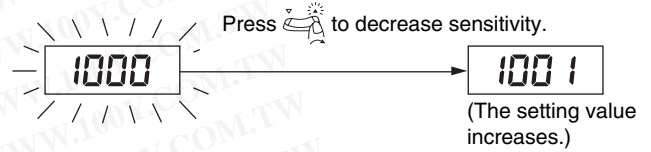
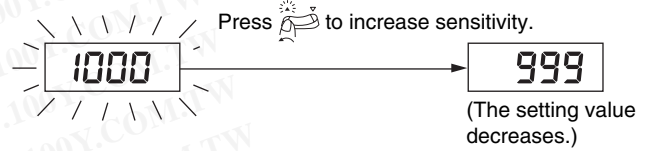
CHANGING THE SETTING VALUE (MANUAL CALIBRATION)

Use the button.



Received light intensity display

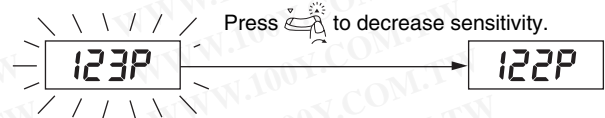
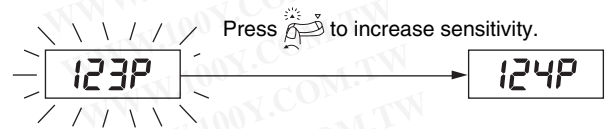
Press or once. The setting value flashes. Change the setting value by pressing or while the value is flashing.



The current value appears after 2 seconds.*

Excess gain display

Press or once. The setting value flashes. Change the setting value by pressing or while the value is flashing.



The current value appears after 2 seconds.*

Note: If the SET button is pressed by accident while the sensitivity is being manually changed, the automatic sensitivity setting will start (The calibration indicator lights.). The sensitivity cannot be changed until the automatic sensitivity setting is completed (The calibration indicator goes off.).

* Do not press any buttons other than the manual button while the setting value is flashing. Otherwise, the value cannot be changed properly.

When the sensitivity difference is insufficient

If the sensitivity has no allowance, " - - - " flashes immediately after the completion of the automatic calibration.

Note: Sensitivity is set and entered even when the sensitivity difference is insufficient. Be sure to confirm that the detection is properly performed.

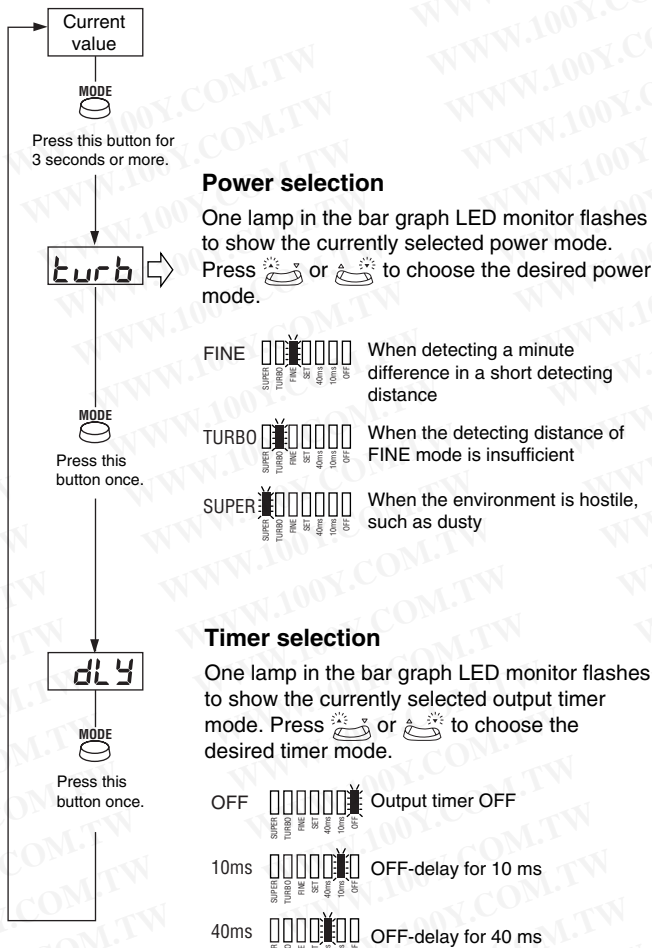
Locking the operation button

Hold down and [MODE] or and [MODE] simultaneously for 3 seconds or more to lock the operation buttons. When "L oc" is displayed in flashing letters, the buttons are locked.

To unlock the operation buttons, repeat the procedure above. When "u nL" is displayed in flashing letters, the buttons are unlocked. Even when the operation buttons are locked, you can change the display data or output method, or display the setting value.

勝特力材料 886-3-5753170
 勝特力电子(上海) 86-21-34970699
 勝特力电子(深圳) 86-755-83298787
[Http://www.100y.com.tw](http://www.100y.com.tw)

SELECTING MODE (POWER/TIMER)



Note: Be sure to readjust the sensitivity after the power mode is changed.

Bar graph LED monitor in normal operation

The light is steadily received.		+15% or more	The LEDs show the received light intensity with respect to the setting value.
The light is irregularly received.		+10% or more	
The light is irregularly interrupted.		+5% or more	The monitor shows the stability level of the current detection.
The light is steadily interrupted.		Setting value	
		-5% or less	
		-10% or less	
		-15% or less	

When the detection becomes unstable due to the change in surrounding environment or targets, readjust sensitivity.

MUTUAL INTERFERENCE SUPPRESSION FUNCTION

When several expansion units are connected, each fiber unit is free from light interference from the adjacent fiber units.

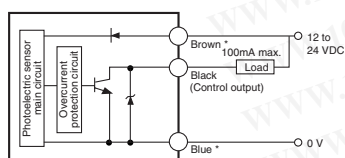
The number of fiber units that are free from light interference depends on the selected power mode.

Power mode	FINE	TURBO	SUPER
No. of units free from interference	4	8	

Note: When units are not connected using the expansion connectors, the mutual interference suppression function does not work. The mutual interference suppression function is limited to 4 units even if only one unit is set to FINE mode.

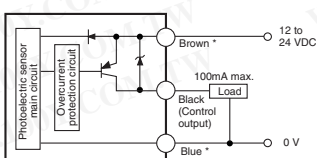
I/O CIRCUIT

NPN FS-V11/V12



* FS-V11 only

PNP FS-V11P/V12P

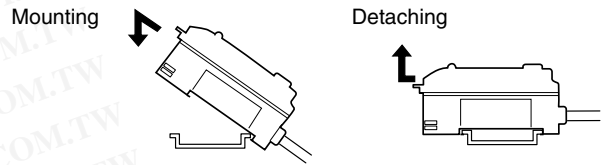


* FS-V11P only

MOUNTING MAIN UNIT

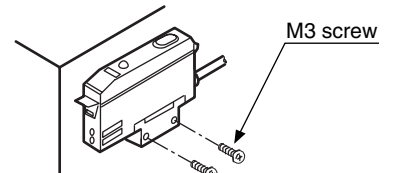
Mounting/Detaching the unit to/from a DIN rail or the mounting bracket.

Hook the claw located at the unit cable side onto the DIN rail, and then hook the front side claw to the rail while pressing the amplifier forward. To detach the unit, unhook the front claw by lifting the unit front side while pressing it forward.



Mounting a unit laterally

Secure the unit with screws through the side holes of the supplied mounting bracket [FS-V11(P) only].



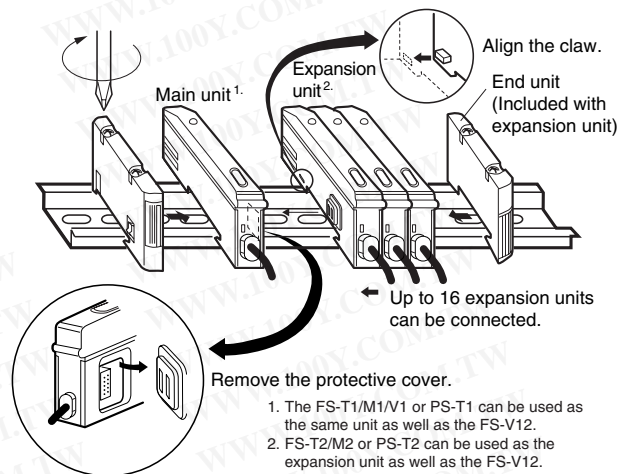
MOUNTING EXPANSION UNITS

Mounting expansion units

1. Detach the protective cover from the unit's side panel.
2. Mount units to a DIN rail one by one.
3. Slide one expansion unit toward another. Align the front claws of the units and push the unit together until they click.
4. Fix the units together by pushing an end unit onto each end. [The end units are included in the FS-V12(P)]

Detaching units from DIN rail

1. Remove the end units.
2. Slide the expansion units apart, and detach them individually. (Do not detach multiple units connected together with end units.)



The sticker shown on the right is included in the expansion unit. Apply this sticker near the sensor.

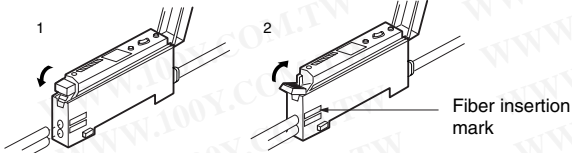


- Note 1:** When several units are connected, confirm the ambient temperature. (See "Specifications" on P. 1.)
- Note 2:** To connect several units, be sure to use a DIN rail and end units.
- Note 3:** To mount or detach several units, be sure to turn the power off.
- Note 4:** Do not remove the protective cover of the expansion connector on the outmost unit.

勝特力材料 886-3-5753170
 胜特力电子(上海) 86-21-34970699
 胜特力电子(深圳) 86-755-83298787
[Http://www.100y.com.tw](http://www.100y.com.tw)

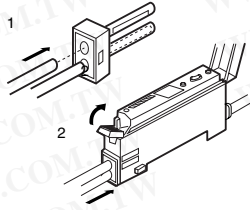
CONNECTING FIBER UNIT

Lower the quick-release lever, insert the fiber unit about 14 mm until it reaches the end, and then lift the quick-release lever.



- To connect a fiber unit with a small diameter, use the adaptor included with the FU series.

- Attach the adaptor to the fiber unit.
- Fully insert the adaptor into the mounting holes of the amplifier, and then lift the quick-release lever.

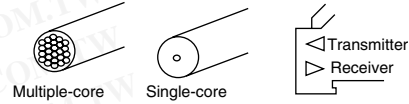


Note: If the fiber unit is improperly connected, the sensor cannot meet the specifications.

- The required adaptor is included in each model of the FU series. If an inadequate adaptor is used, the fiber unit cannot be properly installed.

Cable outer dia.	Adaptor	Appearance
ø1.3	Adaptor A (OP-26500)	
ø1.0	Adaptor B (OP-26501)	

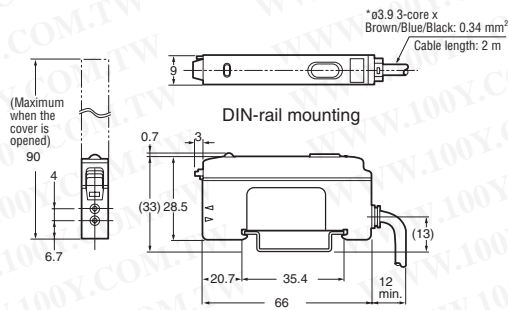
- To connect the coaxial reflective type fiber unit to the amplifier, connect the single-core fiber to the transmitter side, and connect the multiple-core fiber to the receiver side. (Connect the fibers according to the marking on the amplifier lateral side.)



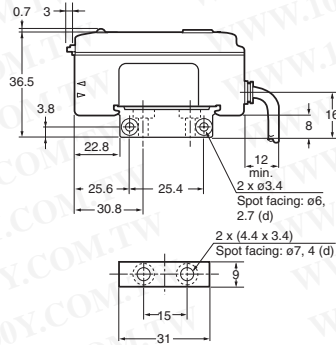
DIMENSIONS

Unit: mm

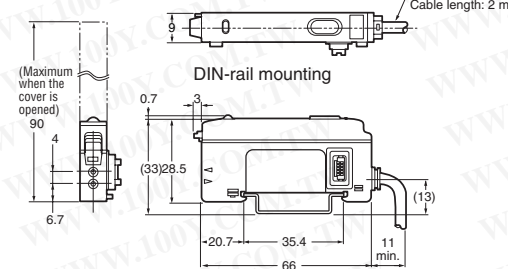
FS-V11(P)



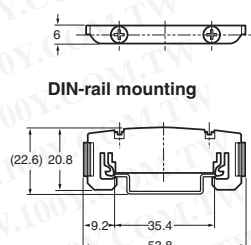
When the mounting bracket [included in FS-V11(P)] is attached:



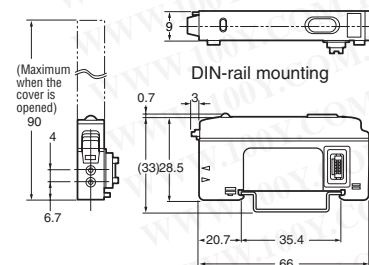
FS-V12(P)



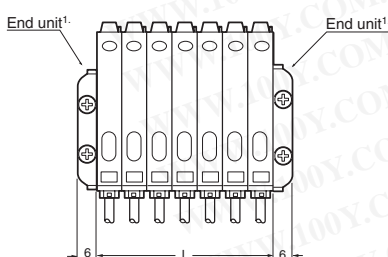
End unit [included in FS-V12(P)]



FS-V10



When several units are connected:



No. of units	L
1	9
2	18
3	27
4	36
5	45
6	54
7	63
8	72
9	81
10	90
11	99
12	108
13	117
14	126
15	135
16	144
17	153

Note: Be sure to use the end units to connect to the expansion units.

HINTS ON CORRECT USE

- To extend the cable length, use a cable with at least a 0.3 mm² cross-section area. Limit the length of cable extension to no more than 100 m. (To connect several units, contact Keyence for further information.)
- If the amplifier cable is placed together with power lines or high voltage lines in the same conduit, detection error may occur due to noise interference, or the sensor may be damaged. Isolate the amplifier cable from these lines.
- When using a commercially available switching regulator, ground the frame ground terminal and ground terminal.
- Do not use the FS series outdoors, or in a place where extraneous light can enter the light receiving surface directly.
- Due to the individual dispersion of characteristics and the difference in fiber unit model, the maximum sensing distance or displayed value of all the units are not the same.
- Improper wiring may cause the amplifier to become hot or may change the sensitivity.
- The displayed value may vary depending on the surrounding environment (change in temperature, dust, etc.).

WARRANTIES (MUST ACCOMPANY THE PRODUCTS): KEYENCE, at its sole option, will refund, repair or replace at no charge any defective Products within 1 year from the date of shipment. Unless stated otherwise herein, the Products should not be used internally in humans, for human transportation, as safety devices or fail-safe systems. EXCEPT FOR THE FOREGOING, ALL EXPRESS, IMPLIED, AND STATUTORY WARRANTIES, INCLUDING WARRANTIES OF MERCHANTABILITY, FITNESS FOR A PARTICULAR PURPOSE AND NON-INFRINGEMENT OF PROPRIETARY RIGHTS, ARE EXPRESSLY DISCLAIMED. KEYENCE SHALL NOT BE LIABLE FOR ANY DIRECT, INDIRECT, INCIDENTAL, CONSEQUENTIAL OR OTHER DAMAGES, EVEN IF DAMAGES RESULT FROM THE USE OF THE PRODUCTS IN ACCORDANCE WITH ANY SUGGESTIONS OR INFORMATION PROVIDED BY KEYENCE. In some jurisdictions, some of the foregoing warranty disclaimers or damage limitations may not apply.

勝特力材料 886-3-5753170
 勝特力电子(上海) 86-21-34970699
 勝特力电子(深圳) 86-755-83298787
[Http://www.100y.com.tw](http://www.100y.com.tw)

Printed in Japan

